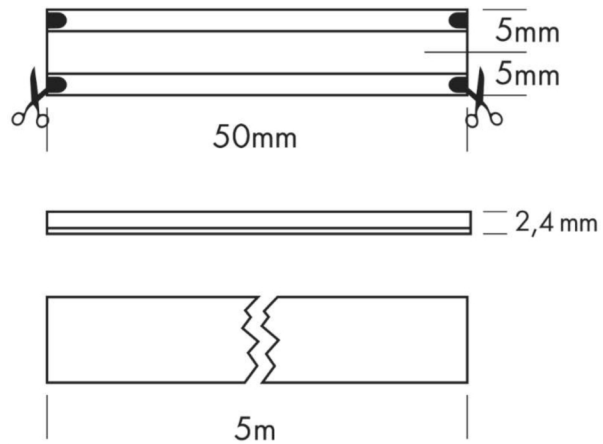


Data sheet

L62W006HP - Flex Strip White Core HP - WW

PROLED®

Article name: Flex Strip White Core HP - WW
Article number: L62W006HP



Article description:

The PROLED FLEX STRIP WHITE CORE HP stands for high light output with homogeneous illumination and a clean, white appearance.

- High light output with uniform light distribution
- Robust design with white casing
- Protection class IP20 to IP67 depending on version

Technical:

Mounting type:	Surface-mounted on ceiling	Electric:	
Adjustability:	Fixed	System power:	15,5 W
Controllability:	Dimmable	Current:	24 V
Safety:	IP20	Safety class:	3
Temperature range:	-10...45 °C	EEL:	D
Lifetime:	50.000 h at L80B10	UGR:	31,33

Shape and dimensions:

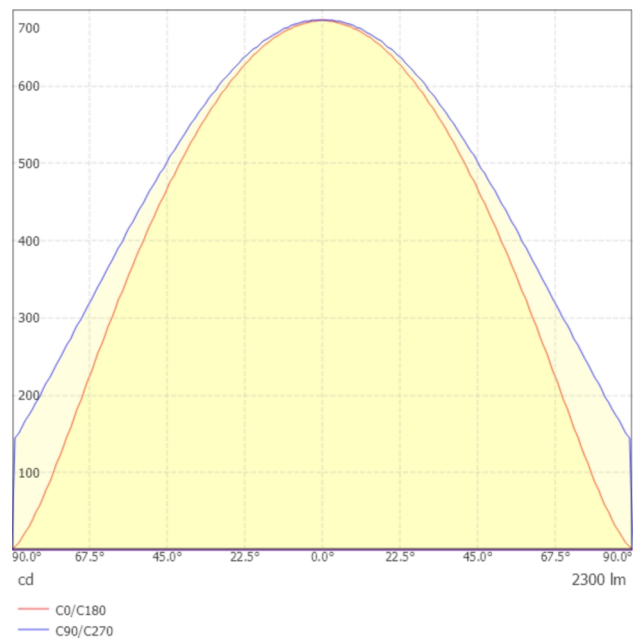
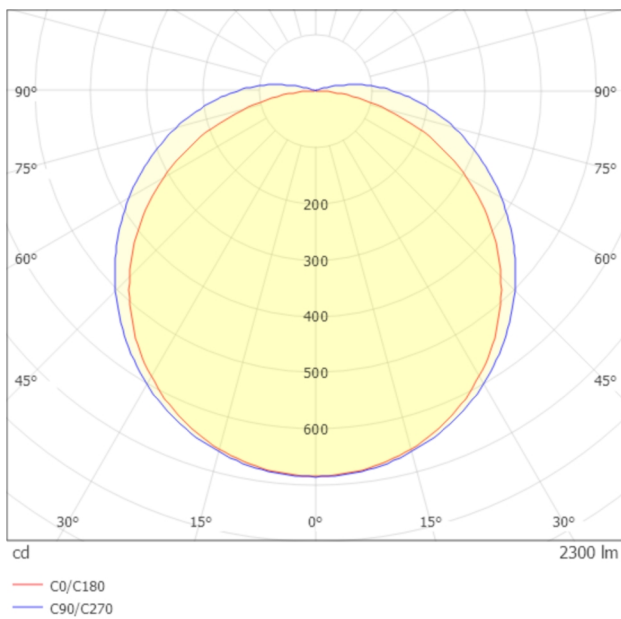
Length:	0 mm
Width:	0 mm
Height:	0 mm
Weight:	-

State 28.04.2026

Technical amendments and errors reserved.

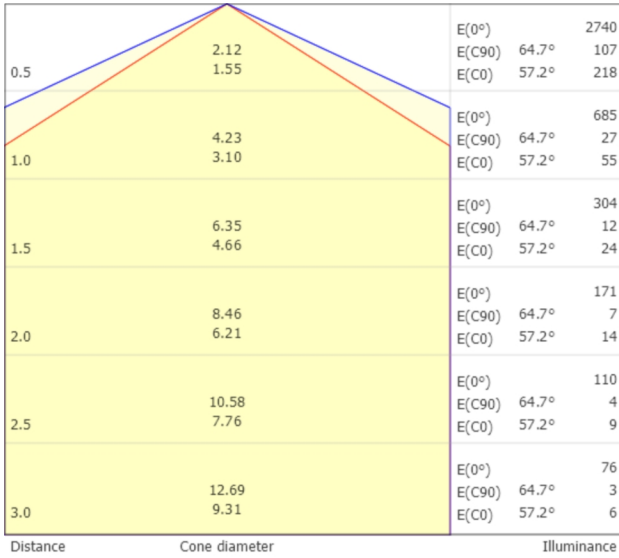
Light output 1 (LED 3000K - CRI 93):

Lamp type:	LED
Lamp power:	15.5 W
Total luminous flux:	2300 lm
Light efficiency:	148.4 lm/W
CCT:	3000 K
CRI:	-
Light distribution:	(Symmetrical) Wide flood (half value angle 45° ... 125°)



Data sheet

L62W006HP - Flex Strip White Core HP - WW



Room size X	Viewing direction at right angles to lamp axis					Viewing direction parallel to lamp axis				
	2H	4H	6H	8H	12H	2H	4H	6H	8H	12H
2H	29.2	30.6	29.5	30.9	31.2	29.9	31.3	30.2	31.5	31.9
2H	30.8	32.1	31.2	32.4	32.7	32.1	33.3	32.5	33.7	34.0
2H	31.5	32.6	31.9	33.0	33.4	33.3	34.4	33.7	34.8	35.1
2H	31.9	33.0	32.3	33.4	33.8	34.5	35.6	34.9	35.9	36.3
2H	32.1	33.1	32.5	33.5	33.9	35.1	36.2	35.6	36.6	37.0
2H	32.1	33.2	32.6	33.5	34.0	35.9	36.9	36.3	37.3	37.7
4H	30.1	31.2	30.5	31.6	31.9	30.6	31.8	31.0	32.1	32.5
4H	31.9	32.9	32.3	33.3	33.7	33.0	34.0	33.4	34.4	34.8
4H	32.7	33.6	33.2	34.1	34.5	34.3	35.2	34.8	35.6	36.1
4H	33.4	34.2	33.8	34.6	35.1	35.7	36.5	36.2	37.0	37.4
4H	33.6	34.3	34.0	34.8	35.2	36.5	37.2	37.0	37.7	38.2
4H	33.7	34.4	34.2	34.8	35.3	37.3	38.0	37.8	38.5	39.0
8H	33.3	34.1	33.8	34.5	35.0	34.7	35.4	35.2	35.9	36.4
8H	34.2	34.8	34.7	35.3	35.8	36.3	36.9	36.8	37.4	37.9
8H	34.5	35.1	35.0	35.6	36.1	37.2	37.8	37.7	38.3	38.8
8H	34.8	35.3	35.3	35.8	36.4	38.3	38.8	38.8	39.3	39.8
12H	33.5	34.1	34.0	34.6	35.1	34.7	35.4	35.2	35.8	36.4
12H	34.4	35.0	35.0	35.5	36.0	36.4	36.9	36.9	37.4	38.0
12H	34.9	35.3	35.4	35.9	36.4	37.4	37.9	37.9	38.4	38.9
Σ summand	17.5					21.6				

State 28.04.2026

Technical amendments and errors reserved.