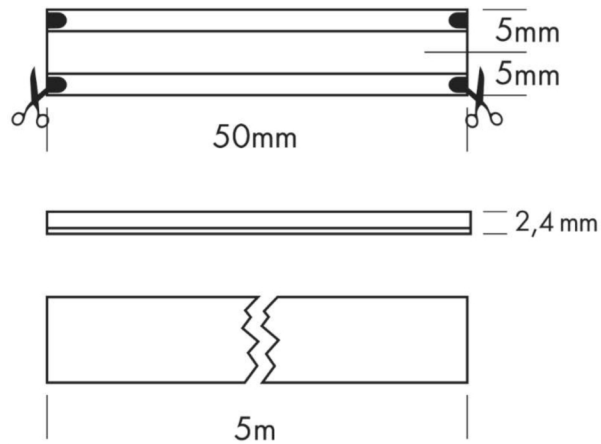
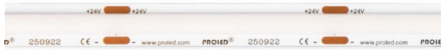


# Data sheet

L62W006MP - Flex Strip White Core MP - WW

# PROLED®

Article name: Flex Strip White Core MP - WW  
Article number: L62W006MP



## Article description:

The PROLED FLEX STRIP WHITE CORE MP offers balanced light output and efficiency for versatile, linear lighting tasks.

- Balanced ratio of light output and efficiency
- Homogeneous light lines with robust, white sheathing
- Protection class IP20 to IP67 depending on variant

## Technical:

<b>Mounting type:</b>	Surface-mounted on ceiling	<b>Electric:</b>	
<b>Adjustability:</b>	Fixed	System power:	8 W
<b>Controllability:</b>	Dimmable	Current:	24 V
<b>Safety:</b>	IP20	Safety class:	3
<b>Temperature range:</b>	-10...45 °C	EEL:	D
<b>Lifetime:</b>	50.000 h at L80B10	UGR:	31,33

## Shape and dimensions:

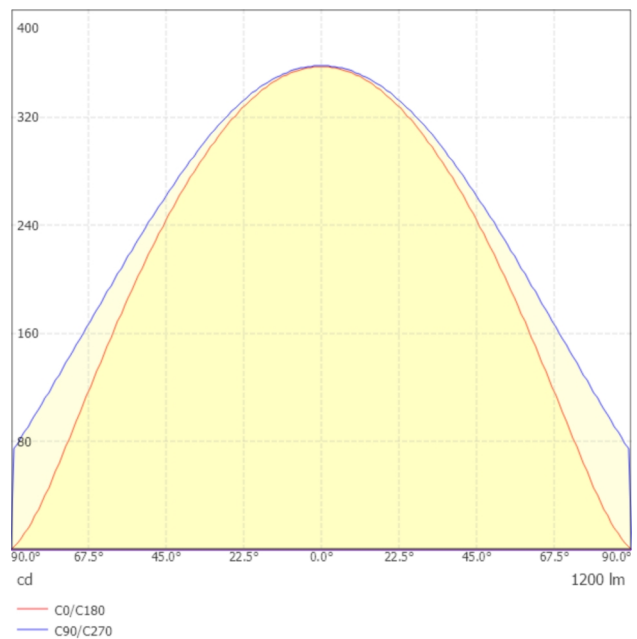
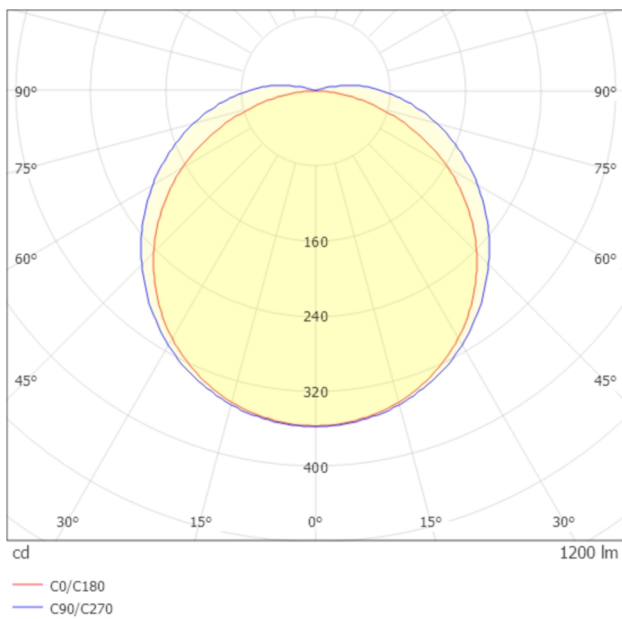
Length:	0 mm
Width:	0 mm
Height:	0 mm
Weight:	-

State 28.04.2026

Technical amendments and errors reserved.

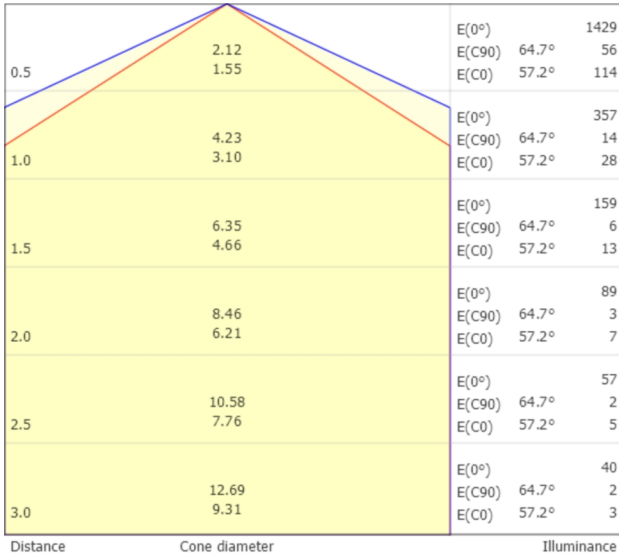
**Light output 1 (LED 3000K - CRI 93):**

<b>Lamp type:</b>	LED
<b>Lamp power:</b>	8 W
<b>Total luminous flux:</b>	1200 lm
<b>Light efficiency:</b>	150 lm/W
<b>CCT:</b>	3000 K
<b>CRI:</b>	-
<b>Light distribution:</b>	(Symmetrical) Wide flood (half value angle 45° ...125°)



# Data sheet

L62W006MP - Flex Strip White Core MP - WW



Room size	X	Viewing direction at right angles to lamp axis					Viewing direction parallel to lamp axis				
2H	2H	26.9	28.3	27.3	28.6	28.9	27.6	29.0	28.0	29.3	29.6
2H	3H	28.6	29.8	28.9	30.1	30.5	29.8	31.1	30.2	31.4	31.8
2H	4H	29.2	30.4	29.6	30.7	31.1	31.0	32.2	31.4	32.5	32.9
2H	6H	29.7	30.8	30.1	31.1	31.5	32.2	33.3	32.6	33.7	34.1
2H	8H	29.8	30.9	30.2	31.2	31.6	32.9	33.9	33.3	34.3	34.7
2H	12H	29.9	30.9	30.3	31.3	31.7	33.6	34.6	34.0	35.0	35.4
4H	2H	27.8	29.0	28.2	29.3	29.7	28.3	29.5	28.7	29.8	30.2
4H	3H	29.7	30.7	30.1	31.1	31.5	30.7	31.8	31.2	32.1	32.5
4H	4H	30.5	31.4	30.9	31.8	32.2	32.1	33.0	32.5	33.4	33.8
4H	6H	31.1	31.9	31.6	32.3	32.8	33.5	34.3	33.9	34.7	35.2
4H	8H	31.3	32.0	31.8	32.5	33.0	34.2	35.0	34.7	35.4	35.9
4H	12H	31.4	32.1	31.9	32.6	33.1	35.1	35.8	35.6	36.2	36.7
8H	4H	31.1	31.8	31.5	32.3	32.7	32.4	33.2	32.9	33.6	34.1
8H	6H	31.9	32.5	32.4	33.0	33.5	34.0	34.6	34.5	35.1	35.7
8H	8H	32.3	32.8	32.8	33.3	33.9	34.9	35.5	35.5	36.0	36.5
8H	12H	32.5	33.0	33.1	33.5	34.1	36.0	36.5	36.6	37.0	37.6
12H	4H	31.2	31.9	31.7	32.3	32.8	32.4	33.1	32.9	33.6	34.1
12H	6H	32.2	32.7	32.7	33.2	33.8	34.1	34.7	34.7	35.2	35.7
12H	8H	32.6	33.1	33.2	33.6	34.2	35.1	35.6	35.7	36.1	36.7
Σ summand		15.3					19.3				

State 28.04.2026

Technical amendments and errors reserved.